

CUSTOMER PART No.

CUSTOMER

CAN ART STD.

DIE No.

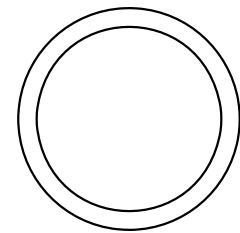
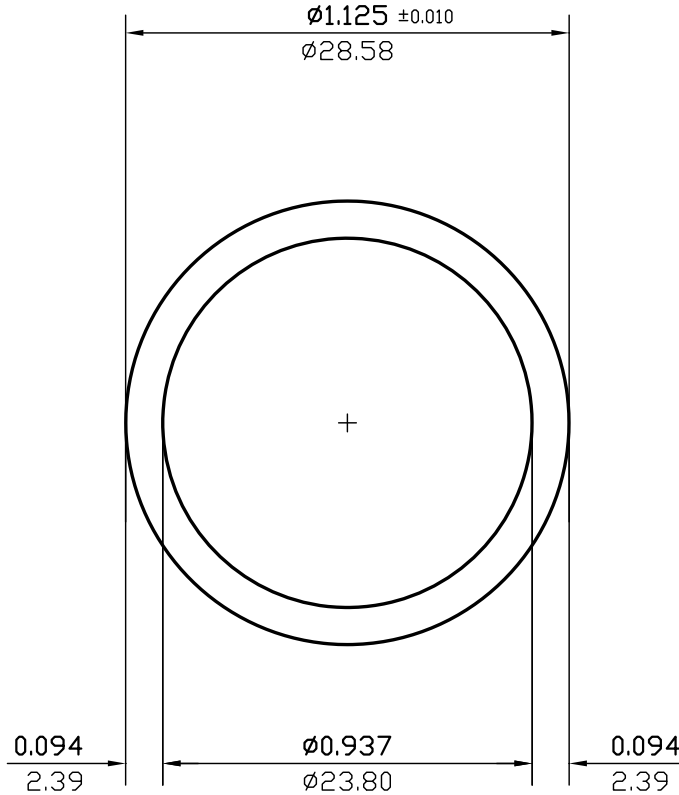
EH05535

DESCRIPTION

1.125" O.D. x 0.094" THK. ROUND TUBE

PROPOSAL No.

H-4333



ACTUAL SIZE

NOTE: BREAK ALL CORNERS WITH 0.015" (.38 MM) RADIUS UNLESS OTHERWISE NOTED. STANDARD TOLERANCES TO APPLY UNLESS OTHERWISE SPECIFIED.

WALL THICKNESS 0.094 (2.39) EXCEPT AS SHOWN

DATE	REV	DESCRIPTION	BY		
03/10/23	2	REMOVED EXPOSED SURFACES AND ALLOY	JASON		
08/05/99	1	REDRAWN	P.M.		
EST.AREA	0.304	IN. ²	EST.AREA	196	MM. ²
EST.WT.	0.365	LBS/FT.	EST.WT.	0.544	KG/M.
EST.PER.	6.478	IN.	EST.PER.	164.5	MM.
OUT PER.	3.534	IN.	OUT PER.	89.8	MM.
C.C.D.	1.125	IN.	C.C.D.	29	MM.
FACTOR	18	FINISH	M/F	ALLOY & TEMP.	
CKD BY		SCALE	2:1	DWN BY	C.P. DATE 02/20/95

CAN ART

ALUMINUM EXTRUSION INC.

85 PARKSHORE DRIVE
BRAMPTON, ONT L6T 5M1
TEL. NO. (905) 791-1464
FAX NO. (905) 791-9151
E-MAIL: canart@canart.com

THIS DRAWING IS NOT NECESSARILY A COPY OF YOUR ORIGINAL. PLEASE APPROVE DIMENSIONS AND TOLERANCES INDICATED. CAN ART ASSUMES NO RESPONSIBILITY EITHER TECHNICAL OR LEGAL FOR HAVING THIS SHAPE MADE. THE CUSTOMER AGREES TO FULLY PROTECT CAN ART ALUMINUM FROM CLAIMS OF OTHERS RESULTING FROM THIS SHAPE.

SIGNED: _____ DATE: _____